

**Aeron P-101**  
**2x30wRMS 8ohms Class D amplifier**  
**User's Manual**

## **A. DISCLAIMER**

- We strongly recommend you to backup all the data in the hard drive before installing the product onto your computer. We held no responsibility for any data loss due to improper installation, misuse, abuse, or neglect.

## **B. INTRODUCTION**

This 50W x 2 Class D Amplifier with a Class D amplifier to deliver 50W output power per channel for the speakers. The Class D amplifier is the most efficient amplifier among the Class A, B and AB amplifiers in the market. More efficiency means for a given power level applying to the amplification system more output power is generated to become audio signal rather than more heat is generated and dissipate in the system. Therefore you are more "GREEN" while you are listening to the music.

## **C. FEATURES & SPECIFICATION**

- Input: 3.5mm stereo line input
- Stereo Speaker out, Bass line out, Headphone out x 2 • 30 x 2 Level meter LED (4 mode)
- Output power:

50W+50W(4ohm)

30W+30W(8ohm)

Headphone:

270mW / 16ohm

450mW / 32ohm at 1kHz

- Headphone output impedance range : 16 - 600ohm
- Frequency response: 20-20kHz(±0.5dB)
- Integrated de-pop function
- Power Supply: 120W (24V/5A)
- Very fine finishing metallic case

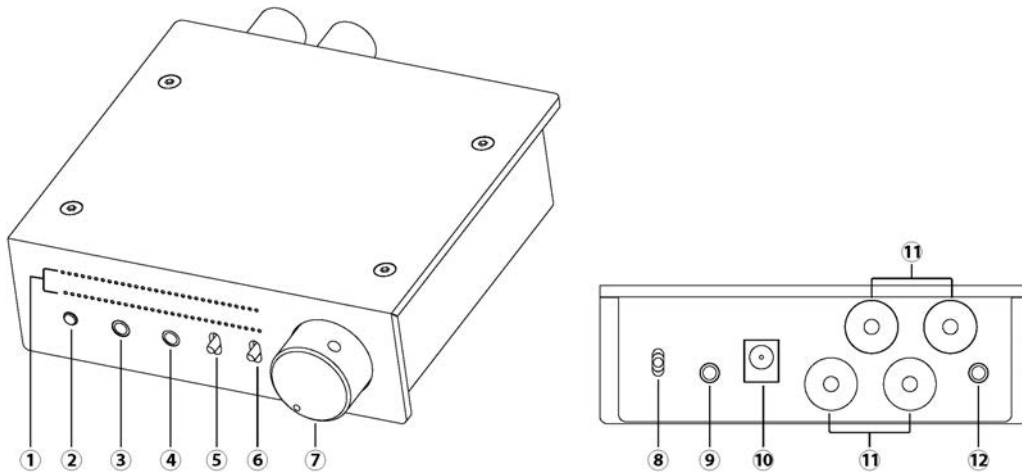
## **D. PACKAGE CONTENTS**

Please check whether the package contains the following items:

- [50W x 2 Class D Amplifier](#)
- User's Manual x 1
- RCA cable x 1
- [AC to DC24V/5A adapter x 1](#)

If any item is missing or damaged, please contact the retailer as soon as possible.

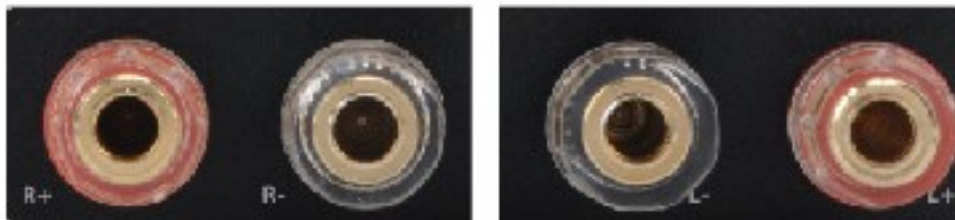
## E. PRODUCT OVERVIEW



1. 30 x 2 Level meter LED (4 mode)
2. Mode switch for Level meter
3. 3.5mm Stereo headphone output for high impedance headset(300-600Ω)
4. 3.5mm Stereo headphone output for low impedance headset(16-300Ω)
5. Speaker on/off switch
6. Loudness switch
7. Combination power on/off switch and volume control
8. Gain Switch--- Selects normal or -10dB gain.
9. Line input
10. DC24V/5A input
11. Speaker output (x4) – To connect to passive speaker
12. Line output

### Warning:

- **DON'T use the product with any active speakers, otherwise it may damage that speakers and the product as well. Please use the product with passive speakers only which like the 2 pair speaker output terminals picture shown below.**



!

- **Always turn off the power the product before connecting to any passive speakers in order to protect the speaker.**

European distribution  
Audio4Stereoland

[www.aeron-audio.it](http://www.aeron-audio.it) - [www.a4s.info](http://www.a4s.info) - email: [info@aeron-audio.it](mailto:info@aeron-audio.it) - [info@a4s.info](mailto:info@a4s.info)